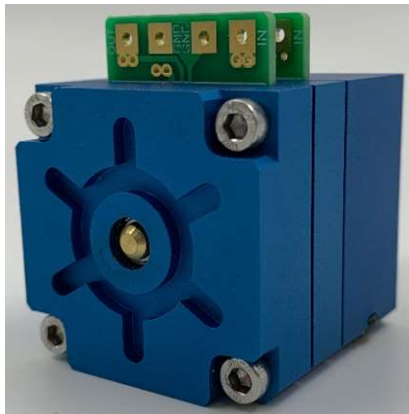


design by Mr. K

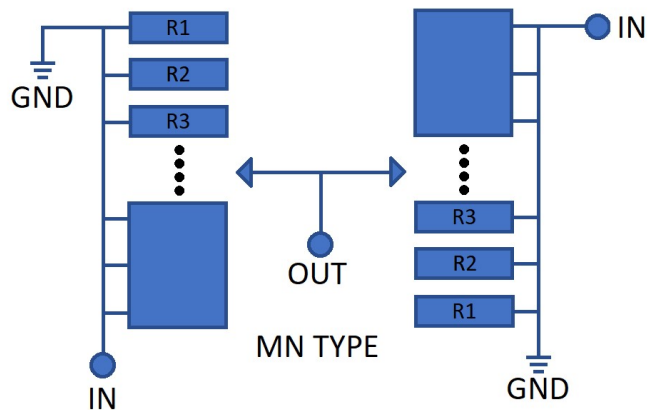
29 Steps MN Type Stepped Attenuator High Quality Passive Preamplifiers Metal (1%) Film Resistor (KOA)



MN Type Stepped Attenuators

This attenuator is formed base on MN taper, with center detent. They function as blend-balance left and right channel.

The rotation of this attenuator controls the output voltage of left and right channel. Full output for left and right channel at 50% rotation.



Detent: 29 steps

Attenuation range: -60dB ... 0dB

Contact material: Hard gold

Mechanical life: > 10 000 cycles

CNC machined AL6063 aluminum

Double grounding design

Indexing angle: 6 degree

Resistance taper: 15A

Bearing: NMB

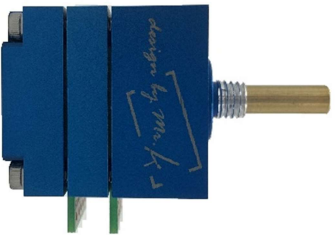
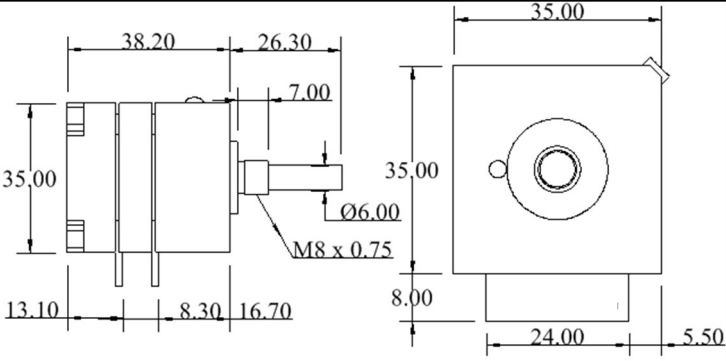
Ingress Protection Rating: IP54

Product Image	Part NO.	Type	Channel	Resistor Value	Resistor Type (Tolerance)	Resistance Taper	Size (L x W x H)
	BLS100K CMNT	Balance	Stereo	100K	Carbon (5%)	M N	35mm x 35mm x 38.2mm + (Shaft length 26.3mm)
	BLS100K MMNT			100K	Metal (1%)		

MN Type Stepped Attenuators/ Product Dimensions

Dimensions:

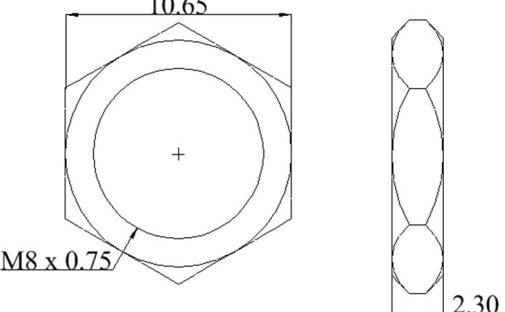
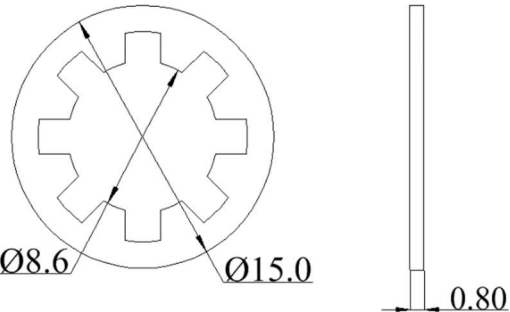
Unit: mm

Photo	Style
	

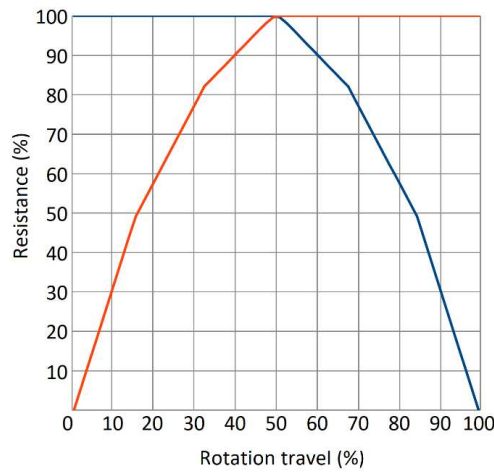
MN Type Stepped Attenuators/ Attached Parts

The following parts are included with the product.

Unit: mm

Nut	Washer
	

MN Type Stepped Attenuators/ 15A Resistance Taper



MN Type Stepped Attenuators/ Detent against dB

Part Number: BLS100KMMNT

Serial Number: _____

Tested by: _____

Detent	Pass Value (%)	Measured value (%) *		Detent	Pass Value (%)	Measured value (%) *		Detent	Pass Value	Measured value (%) *	
		A	B			A	B			A	B
1	0	0	100	21	83.6-84.2	8 .	100	41	78.4-79.2	100	7 .
2	5.4-5.6	5 .	100	22	85.4-85.9	85 .	100	42	75.1-75.9	100	75 .
3	10.7-11.2	1 .	100	23	87.2-87.7	87 .	100	43	71.8-72.6	100	7 .
4	16.1-16.7	16 .	100	24	89.0-89.5	89 .	100	44	68.5-69.4	100	6 .
5	21.5-22.2	2 .	100	25	90.8-91.2	9 .	100	45	65.2-66.1	100	6 .
6	26.9-27.8	2 .	100	26	92.7-93.0	9 .	100	46	61.8-62.8	100	6 .
7	32.3-33.3	3 .	100	27	94.5-94.8	94 .	100	47	58.5-59.6	100	5 .
8	37.8-38.8	3 .	100	28	96.3-96.5	96 .	100	48	55.3-56.3	100	5 .
9	43.2-44.3	4 .	100	29	98.1-98.3	98 .	100	49	52.0-53.0	100	5 .
10	48.7-49.7	4 .	100	30	100	100	100	50	48.7-49.7	100	4 .
11	52.0-53.0	5 .	100	31	98.1-98.3	100	98 .	51	43.2-44.3	100	4 .
12	55.3-56.3	5 .	100	32	96.3-96.5	100	96 .	52	37.8-38.8	100	3 .
13	58.5-59.6	5 .	100	33	94.5-94.8	100	94 .	53	32.3-33.3	100	3 .
14	61.8-62.8	6 .	100	34	92.7-93.0	100	9 .	54	26.9-27.8	100	2 .
15	65.2-66.1	6 .	100	35	90.8-91.2	100	9 .	55	21.5-22.2	100	2 .
16	68.5-69.4	6 .	100	36	89.0-89.5	100	89 .	56	16.1-16.7	100	16 .
17	71.8-72.6	7 .	100	37	87.2-87.7	100	87 .	57	10.7-11.2	100	1 .
18	75.1-75.9	75 .	100	38	85.4-85.9	100	85 .	58	5.4-5.6	100	5 .
19	78.4-79.2	7 .	100	39	83.6-84.2	100	8 .	59	0	100	0
20	81.7-82.4	8 .	100	40	81.7-82.4	100	8 .				

* this value means the tolerances of volume measure in A channel and B channel by 10V loading in percentage.

Important Warning:

- Do not apply torque more than 3kgf-cm on the product's hex nut, excessive force will damage the product.
- Do not unscrew the product. This action is irreversible to the inner mechanic structure.
- Noise may be heard after long term usage. Apply oil-based cleaner to the outer gap will solve the problem. Do not disassemble the product.