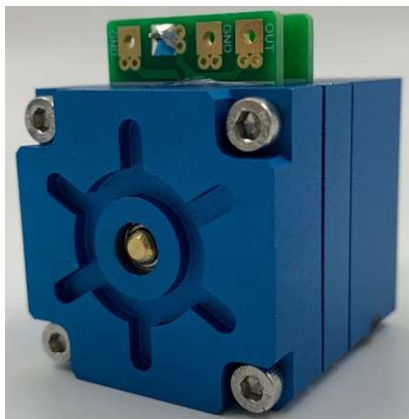


design by Mr. K

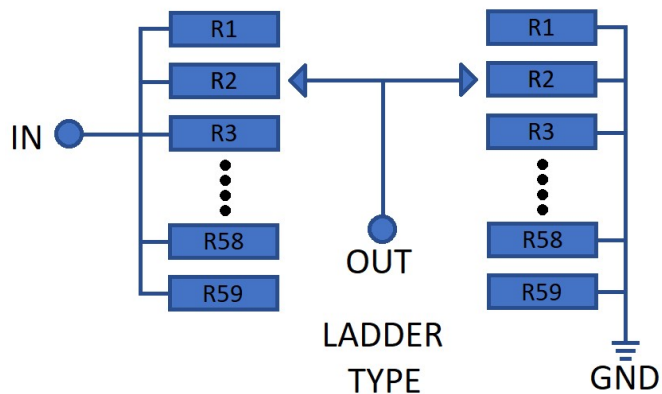
59 Steps Ladder Type Stepped Attenuator High Quality Passive Preamplifiers Metal (1%) Film Resistor (KOA)



Ladder Type Stepped Attenuators

This attenuator is formed by 2 resistors and 2 switch contacts per step, making up a unique combination of resistors per step. Their function is to add up the impedance of the stepped attenuator. That forms a high quality of voltage divider network.

Each resistor set has an equal total series of resistance; therefore, the impedance of the signal source can always be the same.



Detent: 59 steps

Attenuation range: -60dB ... 0dB

Contact material: Hard gold

Mechanical life: > 10 000 cycles

CNC machined AL6063 aluminum

Double grounding design

Indexing angle: 6 degree

Resistance taper: 15A

Bearing: NMB

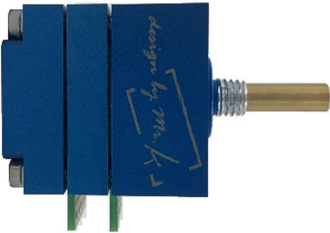
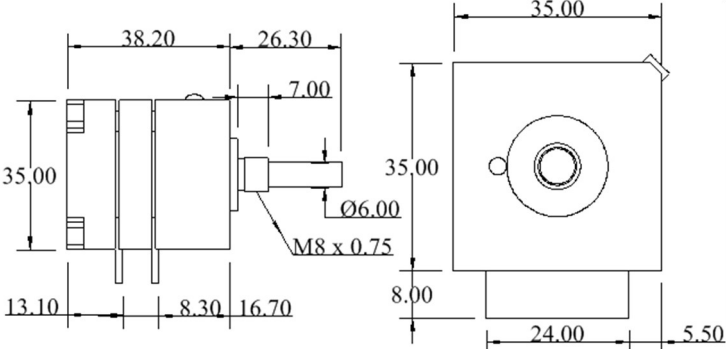
Ingress Protection Rating: IP54

Product Image	Part NO.	Type	Channel	Resistor Value	Resistor Type (Tolerance)	Resistance Taper	Size (L x W x H)
	LDM050K M15A	Ladder	Mono	50K	Metal (1%)	15A	35mm x 35mm x 38.2mm + (Shaft length 26.3mm)
	LDM100K M15A			100K			
	LDM250K M15A			250K			

Ladder Type Stepped Attenuators/ Product Dimensions

Dimensions:

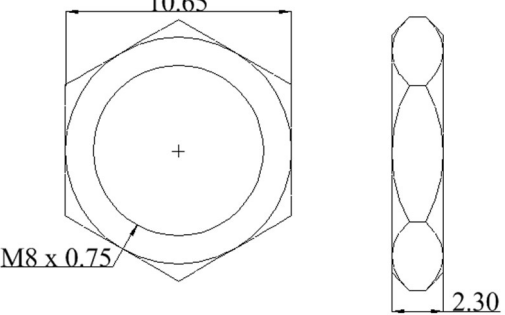
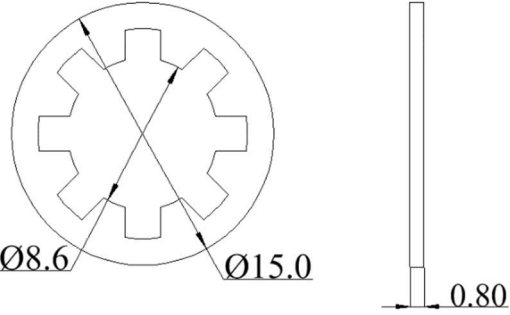
Unit: mm

Photo	Style
	

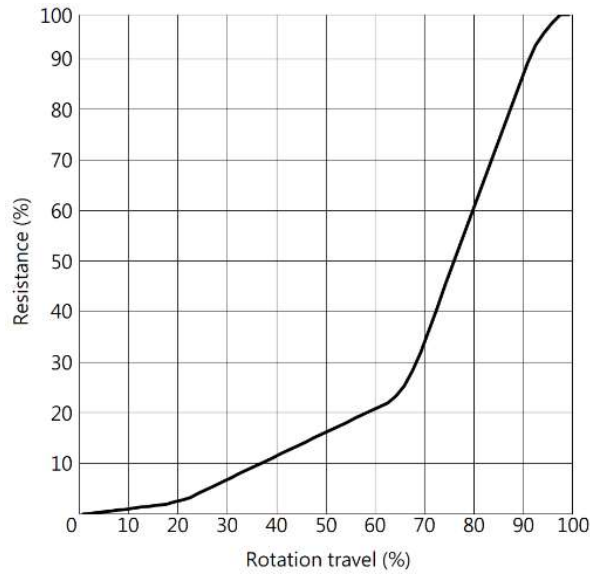
Ladder Type Stepped Attenuators/ Attached Parts

The following parts are included with the product.

Unit: mm

Nut	Washer
	

Ladder Type Stepped Attenuators/ 15A Resistance Taper



Ladder Type Stepped Attenuators/ Detent against dB

Part Number: LDM050KM15A

Serial Number: _____

Tested by: _____

Detent	Pass Value	Measured value*	Detent	Pass Value	Measured value*	Detent	Pass Value	Measured value*
1	100.00	100	21	25.41-26.18	2 .	41	7.448-7.729	7.
2	98.35-98.41	98.	22	23.17-23.89	23.	42	6.376-6.619	6.
3	96.28-96.42	96.	23	21.66-22.35	2 .	43	5.830-6.053	
4	91.93-92.22	9 .	24	20.88-21.55	2 .	44	5.278-5.481	5.
5	89.23-89.61	89.	25	20.09-20.72	20.	45	4.343-4.512	4.
6	84.89-85.40	8 .	26	19.22-19.85	19.	46	3.581-3.722	3.
7	81.61-82.20	8 .	27	18.48-19.09	1 .	47	2.862-2.975	2.
8	76.11-76.83	76.	28	17.80-18.39	1 .	48	2.303-2.395	2.3
9	72.03-72.83	7 .	29	16.74-17.30	1 .	49	1.926-2.004	
10	68.32-69.18	6 .	30	16.32-16.88	16.	50	1.754-1.825	1.
11	64.25-65.16	6 .	31	15.75-16.29	1 .	51	1.585-1.649	1.
12	59.52-60.48		32	14.60-15.11	1 .	52	1.318-1.371	1.3
13	55.51-56.49	5 .	33	14.01-14.50	14.	53	0.994-1.034	
14	52.44-53.44	5 .	34	12.31-12.75	12.	54	0.915-0.952	0.9
15	47.99-48.99	4 .	35	11.83-12.25	1 .	55	0.760-0.791	0.7
16	44.40-45.39	4 .	36	10.81-11.20	1 .	56	0.391-0.407	0.
17	39.52-40.48		37	10.46-10.84	10.	57	0.196-0.204	0.
18	34.84-35.75	3 .	38	9.939-10.30		58	0.092-0.096	0.09
19	30.82-31.68	3 .	39	9.231-9.572	9.	59	0	0
20	27.26-28.06	2 .	40	8.150-8.455	8.			

* this value is tested by 10V loading in unit (V).

Important Warning:

- a. Do not apply torque more than 3kgf-cm on the product's hex nut, excessive force will damage the product.
- b. Do not unscrew the product. This action is irreversible to the inner mechanic structure.
- c. Noise may be heard after long term usage. Apply oil-based cleaner to the outer gap will solve the problem. Do not disassemble the product.