

design by Mr. K

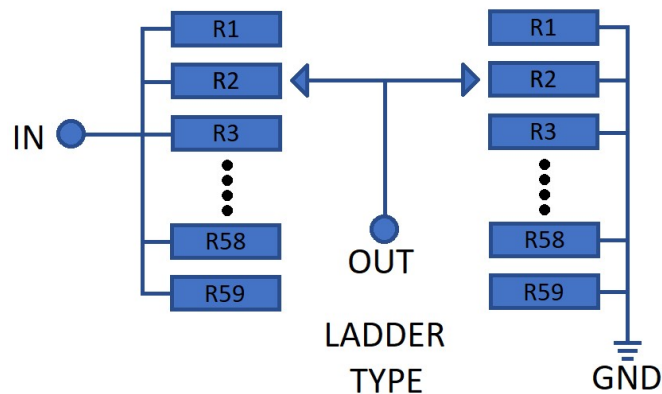
59 Steps Ladder Type Stepped Attenuator High Quality Passive Preamplifiers Metal (1%) Film Resistor (KOA)



Ladder Type Stepped Attenuators

This attenuator is formed by 2 resistors and 2 switch contacts per step, making up a unique combination of resistors per step. Their function is to add up the impedance of the stepped attenuator. That forms a high quality of voltage divider network.

Each resistor set has an equal total series of resistance; therefore, the impedance of the signal source can always be the same.



Detent: 59 steps

Attenuation range: -60dB ... 0dB

Contact material: Hard gold

Mechanical life: > 10 000 cycles

CNC machined AL6063 aluminum

Double grounding design

Indexing angle: 6 degree

Resistance taper: 15A

Bearing: NMB

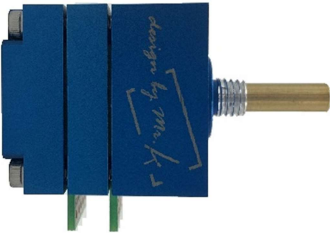
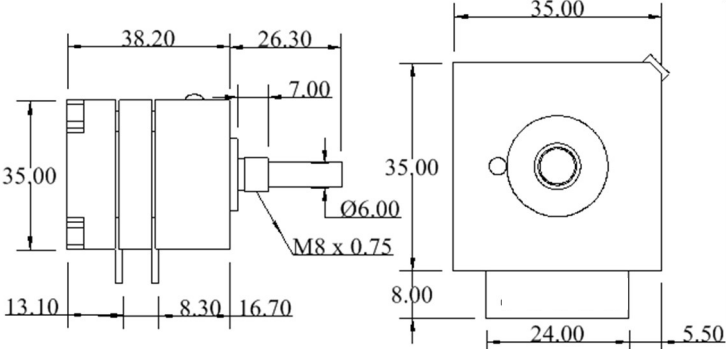
Ingress Protection Rating: IP54

Product Image	Part NO.	Type	Channel	Resistor Value	Resistor Type (Tolerance)	Resistance Taper	Size (L x W x H)
	LDM050K M15A	Ladder	Mono	50K	Metal (1%)	15A	35mm x 35mm x 38.2mm + (Shaft length 26.3mm)
	LDM100K M15A			100K			
	LDM250K M15A			250K			

Ladder Type Stepped Attenuators/ Product Dimensions

Dimensions:

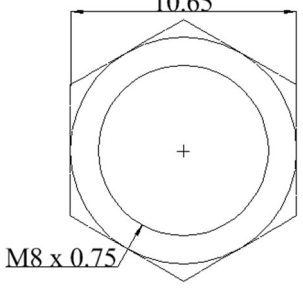
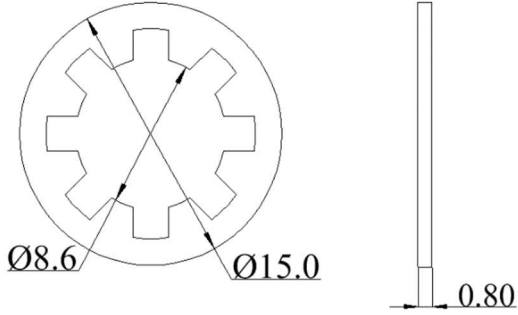
Unit: mm

Photo	Style
	

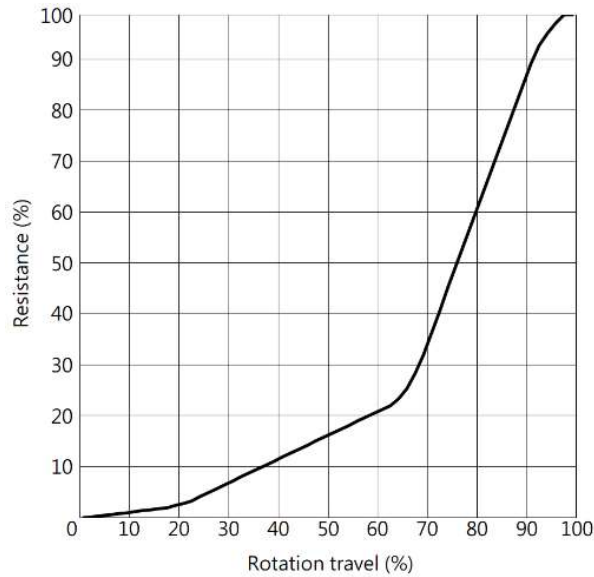
Ladder Type Stepped Attenuators/ Attached Parts

The following parts are included with the product.

Unit: mm

Nut	Washer
	

Ladder Type Stepped Attenuators/ 15A Resistance Taper



Ladder Type Stepped Attenuators/ Detent against dB

Part Number: LDM100KM15A

Serial Number: _____

Tested by: _____

Detent	Pass Value	Measured value*	Detent	Pass Value	Measured value*	Detent	Pass Value	Measured value*
1	100.00	100	21	26.08-26.86	26.	41	7.475-7.756	7.
2	98.20-98.27	98.	22	23.88-24.61	2 .	42	6.825-7.083	
3	96.17-96.32	96.	23	22.33-23.03	2 .	43	5.975-6.204	
4	92.24-92.53	92.	24	21.11-21.78	21.	44	5.207-5.408	5.
5	89.92-90.28		25	20.34-21.00	2 .	45	3.682-3.827	3.
6	84.27-84.80	84.	26	19.20-19.83	19.	46	3.408-3.543	3.
7	81.70-82.29	8 .	27	18.50-19.11	1 .	47	2.578-2.681	2.
8	76.94-77.67	7 .	28	17.62-18.21	1 .	48	2.298-2.390	2.
9	72.42-73.21	7 .	29	16.72-17.29	1 .	49	1.923-2.000	
10	68.96-69.81	6 .	30	15.97-16.52	1 .	50	1.734-1.803	1.
11	64.93-65.84	6 .	31	15.13-15.62	15.	51	1.563-1.626	1.
12	60.91-61.86	6 .	32	14.52-15.03	1 .	52	1.449-1.507	1.
13	56.07-57.06	5 .	33	13.93-14.42	1 .	53	1.163-1.209	1.
14	51.54-52.54	5 .	34	12.83-13.28	1 .	54	0.797-0.830	0.
15	47.46-48.46	4 .	35	12.28-12.72	12.	55	0.662-0.689	0.6
16	42.94-43.93	4 .	36	11.45-11.86	11.	56	0.381-0.396	0.3
17	39.44-40.40		37	10.59-10.98	10.	57	0.215-0.224	0.2
18	36.27-37.20	3 .	38	9.724-10.08		58	0.098-0.102	0.
19	32.21-33.12	3 .	39	8.927-9.258		59	0.00	
20	28.76-29.58	2 .	40	8.116-8.419	8.			

* this value is tested by 10V loading in unit (V).

Important Warning:

- a. Do not apply torque more than 3kgf-cm on the product's hex nut, excessive force will damage the product.
- b. Do not unscrew the product. This action is irreversible to the inner mechanic structure.
- c. Noise may be heard after long term usage. Apply oil-based cleaner to the outer gap will solve the problem. Do not disassemble the product.