

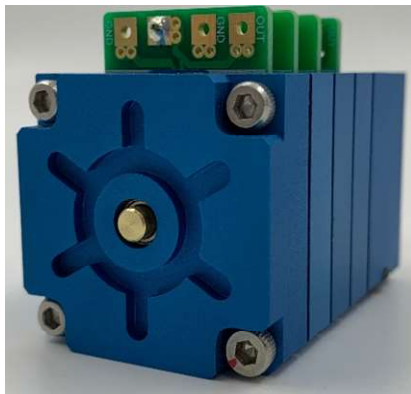
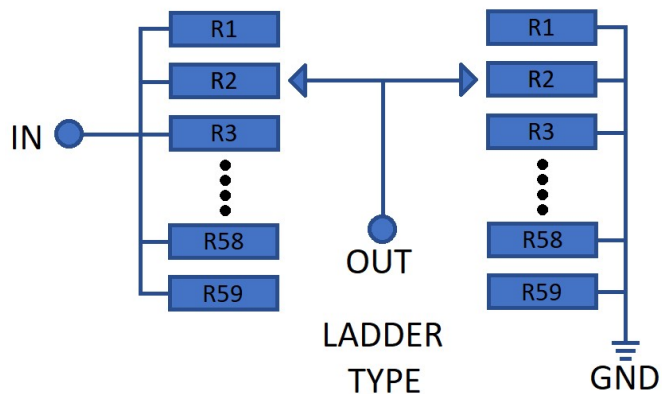
design by Mr. K

59 Steps Ladder Type Stepped Attenuator High Quality Passive Preamplifiers Metal (1%) Film Resistor (KOA)



Ladder Type Stepped Attenuators

This attenuator is formed by 2 resistors and 2 switch contacts per step, making up a unique combination of resistors per step. Their function is to add up the impedance of the stepped attenuator. That forms a high quality of voltage divider network. Each resistor set has an equal total series of resistance; therefore, the impedance of the signal source can always be the same.



Detent: 59 steps

Attenuation range: -60dB ... 0dB

Contact material: Hard gold

Mechanical life: > 10 000 cycles

CNC machined AL6063 aluminum

Double grounding design

Indexing angle: 6 degree

Resistance taper: 15A

Bearing: NMB

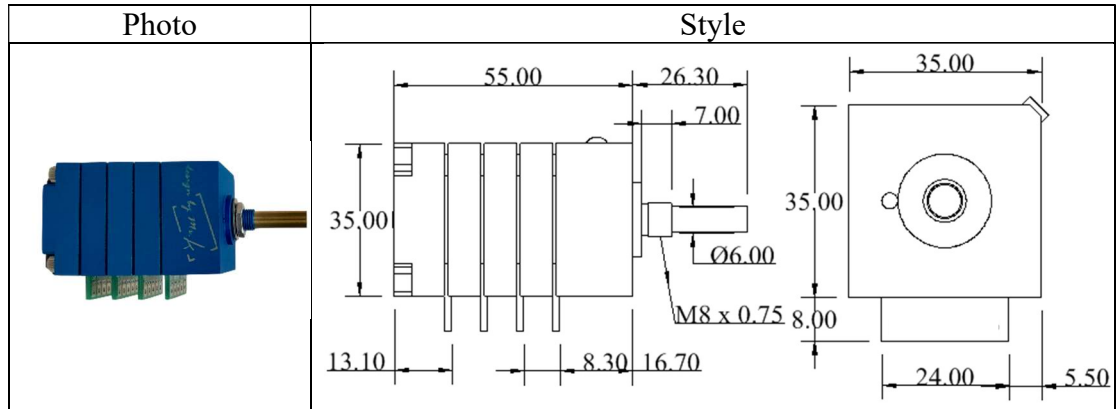
Ingress Protection Rating: IP54

Product Image	Part NO.	Type	Channel	Resistor Value	Resistor Type (Tolerance)	Resistance Taper	Size (L x W x H)
	LDS050K M15A	Ladder	Stereo	50K	Metal (1%)	15A	35mm x 35mm x 55.0mm + (Shaft length 26.3mm)
	LDS100K M15A			100K			
	LDS250K M15A			250K			

Ladder Type Stepped Attenuators/ Product Dimensions

Dimensions:

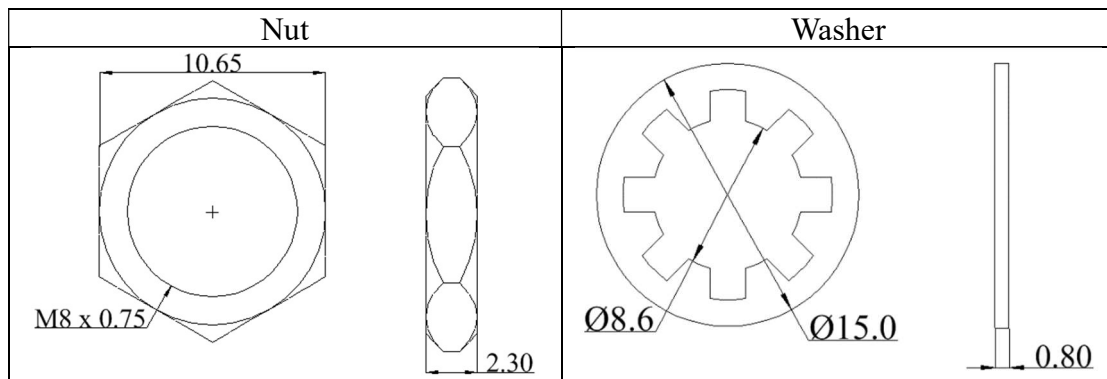
Unit: mm



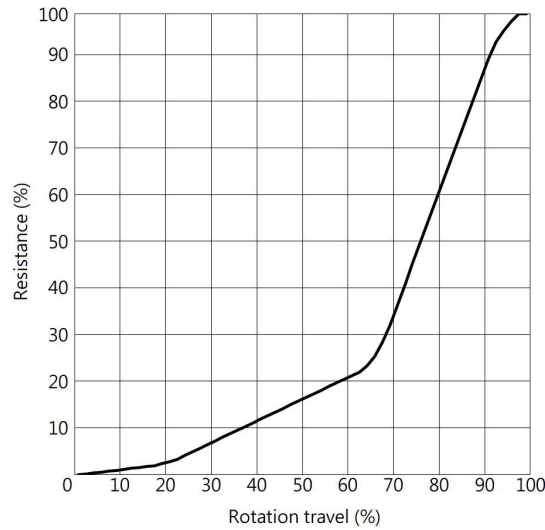
Ladder Type Stepped Attenuators/ Attached Parts

The following parts are included with the product.

Unit: mm



Ladder Type Stepped Attenuators/ 15A Resistance Taper



Ladder Type Stepped Attenuators/ Detent against dB

Part Number: LDS100KM15A

Serial Number: _____

Tested by: _____

Detent	dB	L-R tolerance (%) *	Detent	dB	L-R tolerance (%) *	Detent	dB	L-R tolerance (%) *
1	0.0	0.	21	-11.5	0.	41	-22.4	0.
2	-0.2	0.	22	-12.3	0.	42	-23.2	0.
3	-0.3	0.	23	-12.9	0.	43	-24.3	0.
4	-0.7	0.	24	-13.4	0.	44	-25.5	0.
5	-0.9	0.	25	-13.7	0.	45	-28.5	0.
6	-1.5	0.	26	-14.2	0.	46	-29.2	0.
7	-1.7	0.	27	-14.5	0.	47	-31.6	0.
8	-2.2	0.	28	-14.9	0.	48	-32.6	0.
9	-2.8	0.	29	-15.4	0.	49	-34.2	0.
10	-3.2	0.	30	-15.8	0.	50	-35.0	0.
11	-3.7	0.	31	-16.3	0.	51	-35.9	0.
12	-4.2	0.	32	-16.6	0.	52	-36.6	0.
13	-4.9	0.	33	-17.0	0.	53	-38.5	0.
14	-5.7	0.	34	-17.7	0.	54	-41.8	0.
15	-6.4	0.	35	-18.1	0.	55	-43.4	0.
16	-7.2	0.	36	-18.7	0.	56	-48.2	0.
17	-8.0	0.	37	-19.3	0.	57	-53.2	0.
18	-8.7	0.	38	-20.1	0.	58	-60.0	0.
19	-9.7	0.	39	-20.8	0.	59	-	0.
20	-10.7	0.	40	-21.7	0.			

* this value means the tolerances between L channel and R channel by 10V loading in percentage.

Important Warning:

- a. Do not apply torque more than 3kgf-cm on the product's hex nut, excessive force will damage the product.
- b. Do not unscrew the product. This action is irreversible to the inner mechanic structure.
- c. Noise may be heard after long term usage. Apply oil-based cleaner to the outer gap will solve the problem. Do not disassemble the product.