

design by Mr. K

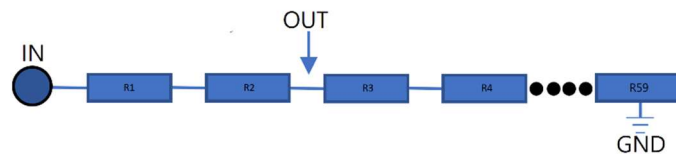
59 Steps Series Type Stepped Attenuator High Quality Passive Preamplifiers Metal (1%)/ Carbon (5%) Film Resistor



Series Type Stepped Attenuators

This attenuator is formed by a series of resistors. They function as a voltage divider. The rotary switch move through the chain as the volume dial is being turned to select the output of the attenuator.

Its principle is like that of a potentiometer. The input impedance of the attenuator remains constant; therefore, the signal source is constant with a non-varying load.



SERIES TYPE

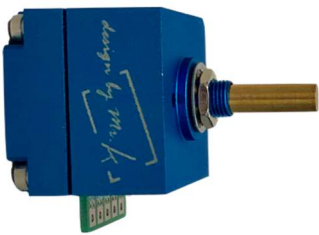
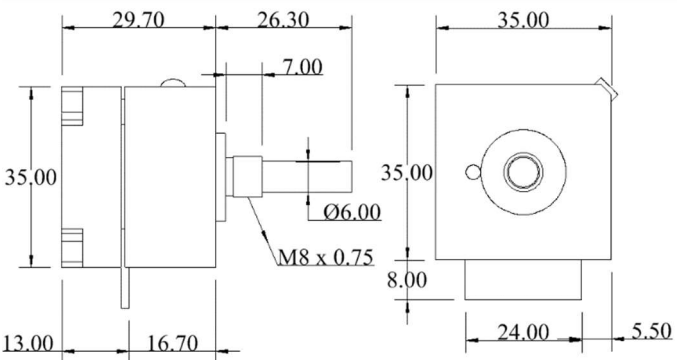
- Detent: Within loudness, 59 steps
- Attenuation range: -60dB ... 0dB
- Contact material: Hard gold
- Mechanical life: > 10 000 cycles
- CNC machined AL6063 aluminum
- Double grounding design
- Indexing angle: 6 degree
- Resistance taper: 15A
- Bearing: NMB
- Ingress Protection Rating: IP54

Product Image	Part NO.	Type	Channel	Resistor Value	Resistor Type (Tolerance)	Resistance Taper	Size (L x W x H)
	SRM050KC 15A	Series	Mono	50K	Carbon (5%)	15A	35mm x 35mm x 29.7mm + (Shaft length 26.3mm)
	SRM050K M15A				Metal (1%)		
	SRM100K C15A			100K	Carbon (5%)		
	SRM100K M15A				Metal (1%)		

Series Type Stepped Attenuators/ Product Dimensions

Dimensions:

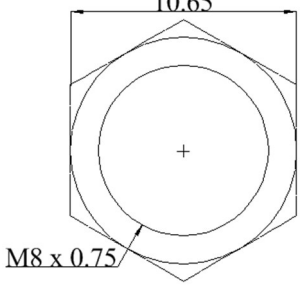
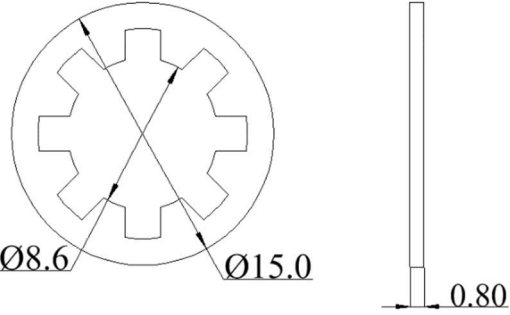
Unit: mm

Photo	Style
	

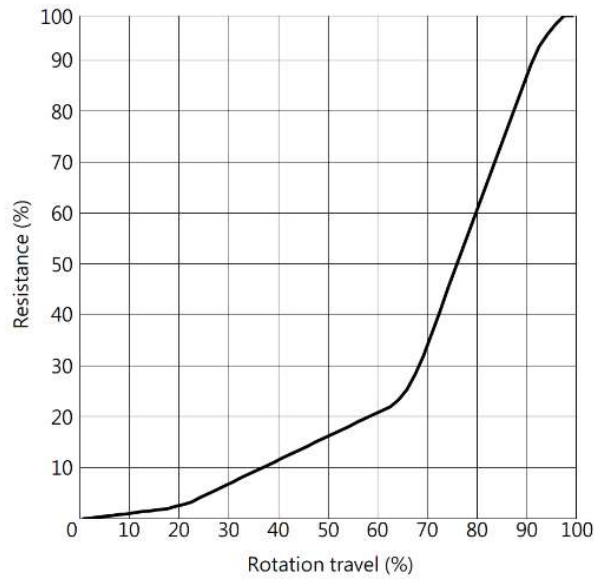
Series Type Stepped Attenuators/ Attached Parts

The following parts are included with the product.

Unit: mm

Nut	Washer
	

Series Type Stepped Attenuators/ 15A Resistance Taper



Series Type Stepped Attenuators/ Detent against dB

Part Number: SRM050KC15A

Serial Number: _____

Tested by: _____

Detent	Pass Value (%)	Measured value*	Detent	Pass Value (%)	Measured value*	Detent	Pass Value (%)	Measured value*
1	100.00	100	21	21.61-25.19	2 .	41	6.536-7.870	.
2	98.19-98.51	98.	22	20.33-23.76	2 .	42	5.821-7.020	.
3	95.55-96.33	9 .	23	19.59-22.94	.	43	5.107-6.169	.
4	92.93-94.14	9 .	24	18.86-22.11	.	44	4.394-5.316	.
5	88.15-90.09	.	25	18.12-21.28	.	45	3.682-4.462	.
6	83.42-86.01	8 .	26	17.39-20.46	.	46	2.972-3.606	.
7	78.73-81.89	.	27	16.66-19.63	1 .	47	2.480-3.013	.
8	74.08-77.74	7 .	28	15.93-18.80	1 .	48	2.080-2.530	2.
9	69.48-73.55	.	29	15.20-17.96	1 .	49	1.717-2.089	.
10	64.91-69.33	6 .	30	14.47-17.13	1 .	50	1.535-1.869	1.
11	60.39-65.07	6 .	31	13.74-16.29	1 .	51	1.354-1.649	1.
12	55.91-60.77	.	32	13.02-15.46	1 .	52	1.172-1.428	1.
13	51.46-56.43	5 .	33	12.29-14.62	1 .	53	0.991-1.208	.
14	47.06-52.06	.	34	11.57-13.78	1 .	54	0.810-0.987	0.
15	42.69-47.65	4 .	35	10.85-12.94	1 .	55	0.628-0.767	0.
16	38.36-43.19	.	36	10.13-12.10	1 .	56	0.447-0.546	0.
17	34.07-38.70	3 .	37	9.406-11.26	.	57	0.266-0.325	0.
18	29.82-34.17	.	38	8.687-10.41	.	58	0.085-0.104	0.
19	26.37-30.43	.	39	7.969-9.566	.	59	0	0
20	23.51-27.30	2 .	40	7.252-8.719	.			

* this value means the tolerances of the resistor of each step by 10V loading in percentage.

Important Warning:

- a. Do not apply torque more than 3kgf-cm on the product's hex nut, excessive force will damage the product.
- b. Do not unscrew the product. This action is irreversible to the inner mechanic structure.
- c. Noise may be heard after long term usage. Apply oil-based cleaner to the outer gap will solve the problem. Do not disassemble the product.