

design by Mr. K

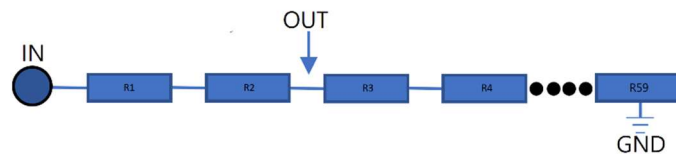
59 Steps Series Type Stepped Attenuator High Quality Passive Preamplifiers Metal (1%)/ Carbon (5%) Film Resistor



Series Type Stepped Attenuators

This attenuator is formed by a series of resistors. They function as a voltage divider. The rotary switch move through the chain as the volume dial is being turned to select the output of the attenuator.

Its principle is like that of a potentiometer. The input impedance of the attenuator remains constant; therefore, the signal source is constant with a non-varying load.



SERIES TYPE

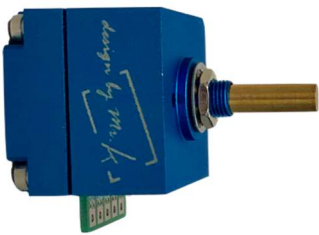
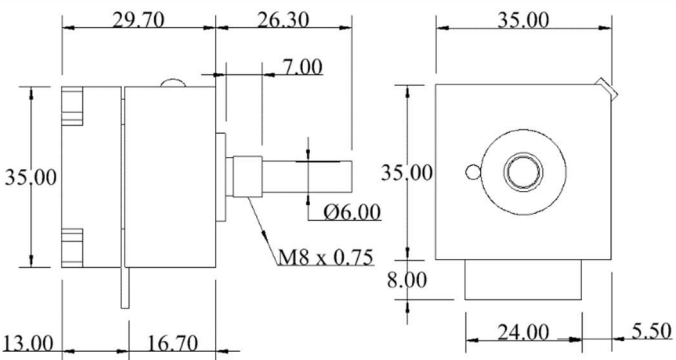
- Detent: Within loudness, 59 steps
- Attenuation range: -60dB ... 0dB
- Contact material: Hard gold
- Mechanical life: > 10 000 cycles
- CNC machined AL6063 aluminum
- Double grounding design
- Indexing angle: 6 degree
- Resistance taper: 15A
- Bearing: NMB
- Ingress Protection Rating: IP54

Product Image	Part NO.	Type	Channel	Resistor Value	Resistor Type (Tolerance)	Resistance Taper	Size (L x W x H)
	SRM050KC 15A	Series	Mono	50K	Carbon (5%)	15A	35mm x 35mm x 29.7mm + (Shaft length 26.3mm)
	SRM050K M15A				Metal (1%)		
	SRM100K C15A			100K	Carbon (5%)		
	SRM100K M15A				Metal (1%)		

Series Type Stepped Attenuators/ Product Dimensions

Dimensions:

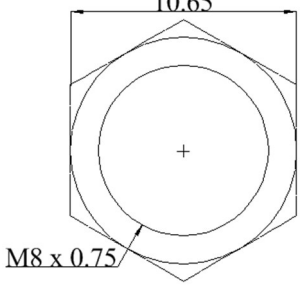
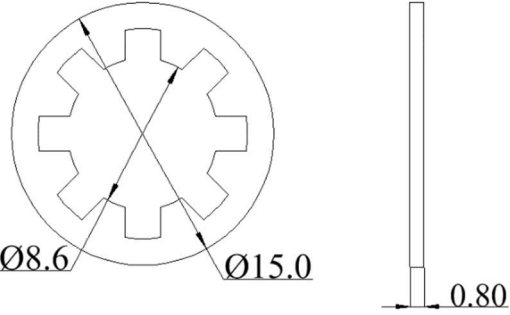
Unit: mm

Photo	Style
	

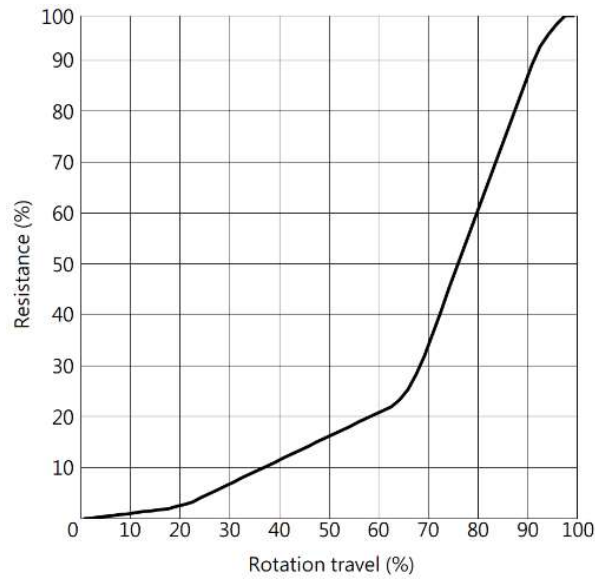
Series Type Stepped Attenuators/ Attached Parts

The following parts are included with the product.

Unit: mm

Nut	Washer
	

Series Type Stepped Attenuators/ 15A Resistance Taper



Series Type Stepped Attenuators/ Detent against dB

Part Number: SRM050KM15A

Serial Number: _____

Tested by: _____

Detent	Pass Value (%)	Measured value*	Detent	Pass Value (%)	Measured value*	Detent	Pass Value (%)	Measured value*
1	100.00	100	21	23.00-23.72	23.	41	7.042-7.309	7.
2	98.33-98.39	98.	22	21.65-22.34	2 .	42	6.276-6.515	6.
3	95.88-96.04	9 .	23	20.88-21.55	2 .	43	5.509-5.721	5.
4	93.56-93.68	93.	24	20.11-20.76	20.	44	4.986-5.179	
5	88.96-89.35	8 .	25	19.34-19.97	19.	45	4.743-4.927	4.
6	84.50-85.02	8 .	26	18.57-19.18	1 .	46	3.977-4.133	
7	80.04-80.67	80.	27	17.80-18.39	1 .	47	3.211-3.338	3.
8	75.59-76.32	7 .	28	17.031-17.60	17.	48	2.681-2.788	2.
9	71.15-71.96	7 .	29	16.26-16.81	16.	49	2.250-2.339	2.
10	66.72-67.60	6 .	30	15.49-16.02	1 .	50	1.857-1.932	1.
11	62.29-63.22	6 .	31	14.72-15.23	1 .	51	1.661-1.728	1.
12	57.87-58.84	5 .	32	13.95-14.44	1 .	52	1.465-1.524	1.
13	53.46-54.45	5 .	33	13.18-13.65	13.	53	1.269-1.320	1.
14	49.06-50.06		34	12.42-12.86	12.	54	1.073-1.116	1.
15	44.66-45.65	4 .	35	11.65-12.07	1 .	55	0.877-0.912	0.
16	40.27-41.24	4 .	36	10.88-11.27	1 .	56	0.680-0.708	0.
17	35.89-36.82	3 .	37	10.11-10.48	10.	57	0.484-0.504	0.
18	31.52-32.39	3 .	38	9.344-9.688	9.	58	0.288-0.300	0.
19	27.95-28.76	2 .	39	8.576-8.895	8.	59	0	0
20	24.98-25.74	2 .	40	7.809-8.102				

* this value means the tolerances of the resistor of each step by 10V loading in percentage.

Important Warning:

- a. Do not apply torque more than 3kgf-cm on the product's hex nut, excessive force will damage the product.
- b. Do not unscrew the product. This action is irreversible to the inner mechanic structure.
- c. Noise may be heard after long term usage. Apply oil-based cleaner to the outer gap will solve the problem. Do not disassemble the product.