

design by Mr. K

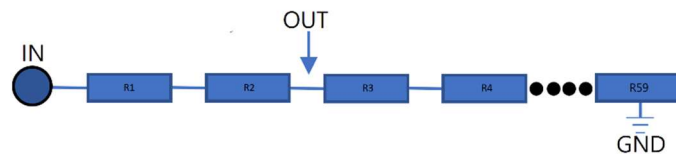
59 Steps Series Type Stepped Attenuator High Quality Passive Preamplifiers Metal (1%)/ Carbon (5%) Film Resistor



Series Type Stepped Attenuators

This attenuator is formed by a series of resistors. They function as a voltage divider. The rotary switch move through the chain as the volume dial is being turned to select the output of the attenuator.

Its principle is like that of a potentiometer. The input impedance of the attenuator remains constant; therefore, the signal source is constant with a non-varying load.



SERIES TYPE

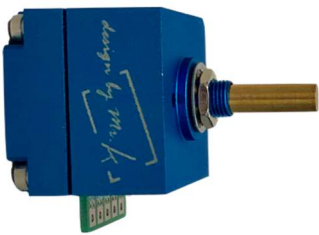
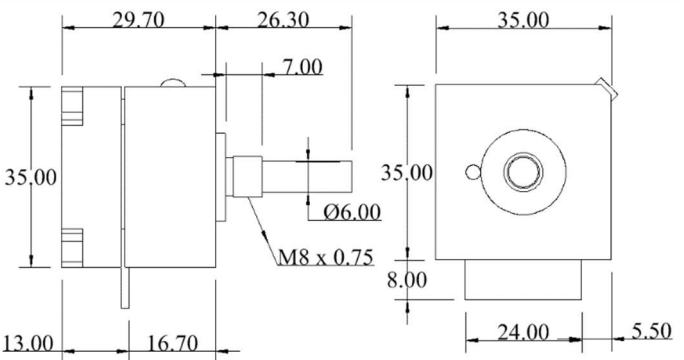
- Detent: Within loudness, 59 steps
- Attenuation range: -60dB ... 0dB
- Contact material: Hard gold
- Mechanical life: > 10 000 cycles
- CNC machined AL6063 aluminum
- Double grounding design
- Indexing angle: 6 degree
- Resistance taper: 15A
- Bearing: NMB
- Ingress Protection Rating: IP54

Product Image	Part NO.	Type	Channel	Resistor Value	Resistor Type (Tolerance)	Resistance Taper	Size (L x W x H)
	SRM050KC 15A	Series	Mono	50K	Carbon (5%)	15A	35mm x 35mm x 29.7mm + (Shaft length 26.3mm)
	SRM050K M15A				Metal (1%)		
	SRM100K C15A			100K	Carbon (5%)		
	SRM100K M15A				Metal (1%)		

Series Type Stepped Attenuators/ Product Dimensions

Dimensions:

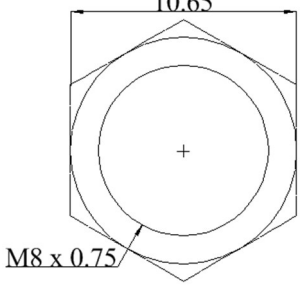
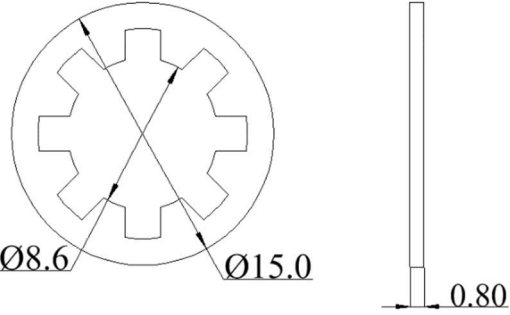
Unit: mm

Photo	Style
	

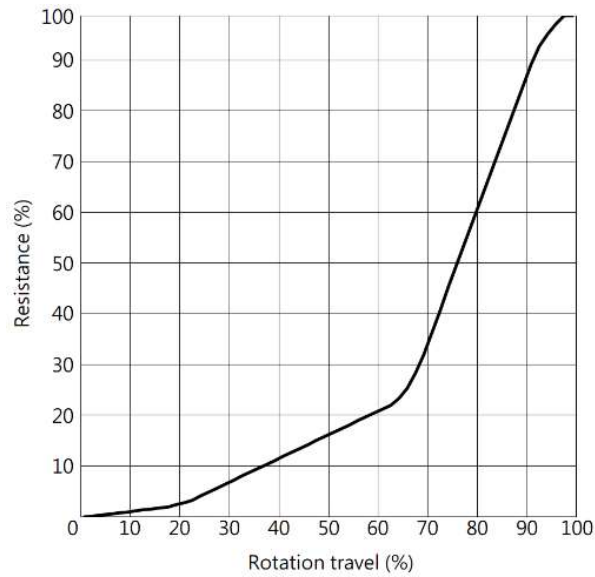
Series Type Stepped Attenuators/ Attached Parts

The following parts are included with the product.

Unit: mm

Nut	Washer
	

Series Type Stepped Attenuators/ 15A Resistance Taper



Series Type Stepped Attenuators/ Detent against dB

Part Number: SRM100KM15A

Serial Number: _____

Tested by: _____

Detent	Pass Value	Measured value*	Detent	Pass Value	Measured value*	Detent	Pass Value	Measured value*
1	100.00	100	21	25.53-26.30	2 .	41	7.405-7.684	7.
2	98.16-98.23	98.	22	23.75-24.48	2 .	42	6.598-6.849	6.
3	95.92-96.07	9 .	23	21.96-22.66	2 .	43	5.792-6.014	
4	92.56-92.83	92.	24	21.15-21.83	21.	44	4.986-5.179	
5	89.20-89.58	89.	25	20.34-21.00	2 .	45	4.181-4.344	4.
6	85.02-85.52	85.	26	19.53-20.17		46	3.376-3.508	3.
7	80.84-81.46	8 .	27	18.72-19.34	1 .	47	2.708-2.815	2.
8	76.68-77.38	7 .	28	17.91-18.51	1 .	48	2.247-2.336	2.
9	72.51-73.30	7 .	29	17.10-17.68	17.	49	1.864-1.938	1.
10	68.36-69.22	6 .	30	16.29-16.84	16.	50	1.668-1.734	1.
11	64.21-65.12	6 .	31	15.48-16.01	1 .	51	1.471-1.530	1.
12	60.07-61.02	6 .	32	14.67-15.18	1 .	52	1.275-1.326	1.
13	55.93-56.91	5 .	33	13.87-14.35	1 .	53	1.079-1.122	1.
14	51.80-52.80	5 .	34	13.06-13.52	13.	54	0.883-0.918	0.
15	47.68-48.68	4 .	35	12.25-12.68	12.	55	0.687-0.714	0.
16	43.57-44.55	4 .	36	11.44-11.85	11.	56	0.490-0.510	0.
17	39.46-40.42		37	10.63-11.02	1 .	57	0.294-0.306	0.
18	35.36-36.28	3 .	38	9.825-10.19		58	0.098-0.102	0.
19	31.48-32.35	3 .	39	9.018-8.352		59	0	0
20	28.20-29.02	2 .	40	8.211-8.518	8.			

* this value means the tolerances of the resistor of each step by 10V loading in percentage.

Important Warning:

- a. Do not apply torque more than 3kgf-cm on the product's hex nut, excessive force will damage the product.
- b. Do not unscrew the product. This action is irreversible to the inner mechanic structure.
- c. Noise may be heard after long term usage. Apply oil-based cleaner to the outer gap will solve the problem. Do not disassemble the product.